

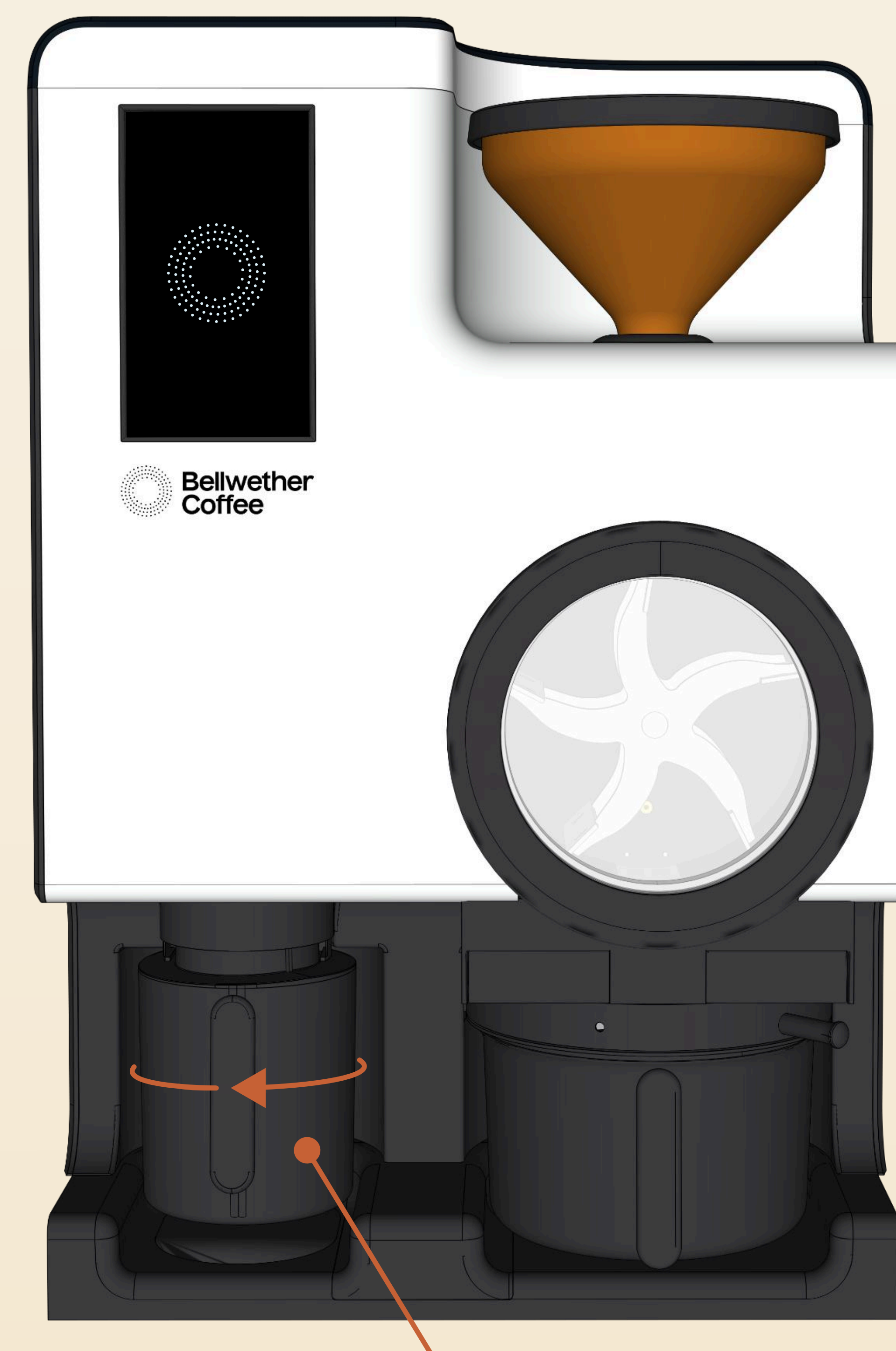
# Cleaning and Maintenance Guide

## Daily maintenance

Your Shop Roaster will prompt you onscreen to empty the chaff and water collector every 3 roasts.

### 1. Empty chaff can and water collector

- Locate the chaff and water collector on the bottom left of your roaster
- Twist the chaff and water collector to the left and pull down, similar to removing a portafilter from an espresso machine
- Pour water into sink
- Discard chaff into compost bin or trash
- Insert the chaff and water collector back into place

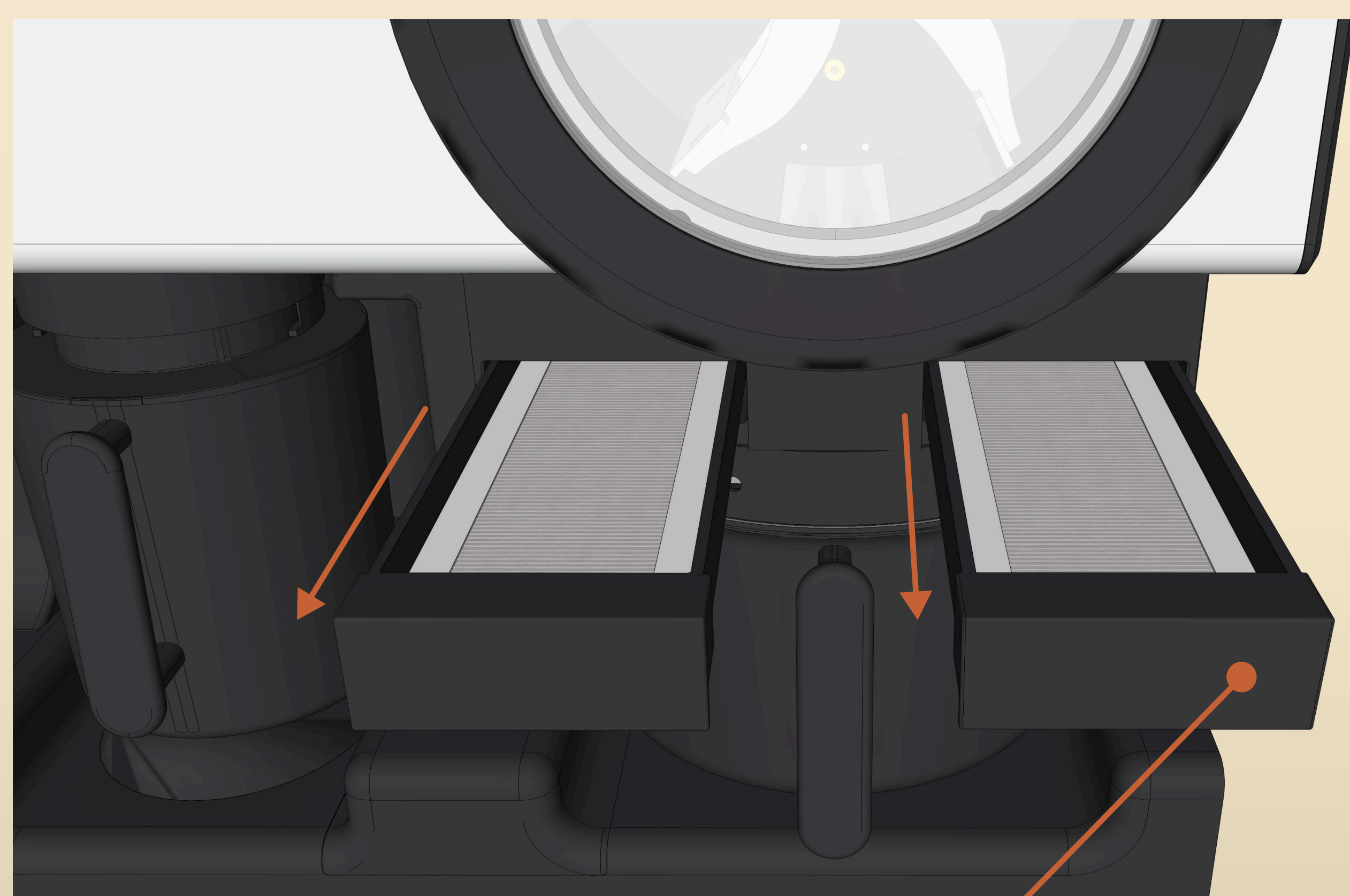


Chaff and water collector

### 2. Clean pre-filters

At the end of each roasting session or at the end of every day, you will be required to clean both of your roaster's pre-filters to keep them performing optimally.

- Locate the pre-filters on the right side of the roaster, under the drum
- Remove both pre-filters
- Remove chaff with a soft bristle brush or shop-vac
- Insert the pre-filters back into place



Pull the filters towards you

## Preventative maintenance

A technician visit is required for detailed preventative maintenance every 2500 lbs. To schedule, contact Bellwether Support for an available technician in your area.

Email: [support@bellwethercoffee.com](mailto:support@bellwethercoffee.com)

Call or Text: (510) 210-1536

Support Hours: **8am-4pm PST, Monday-Friday**

## Daily maintenance with Continuous Roasting

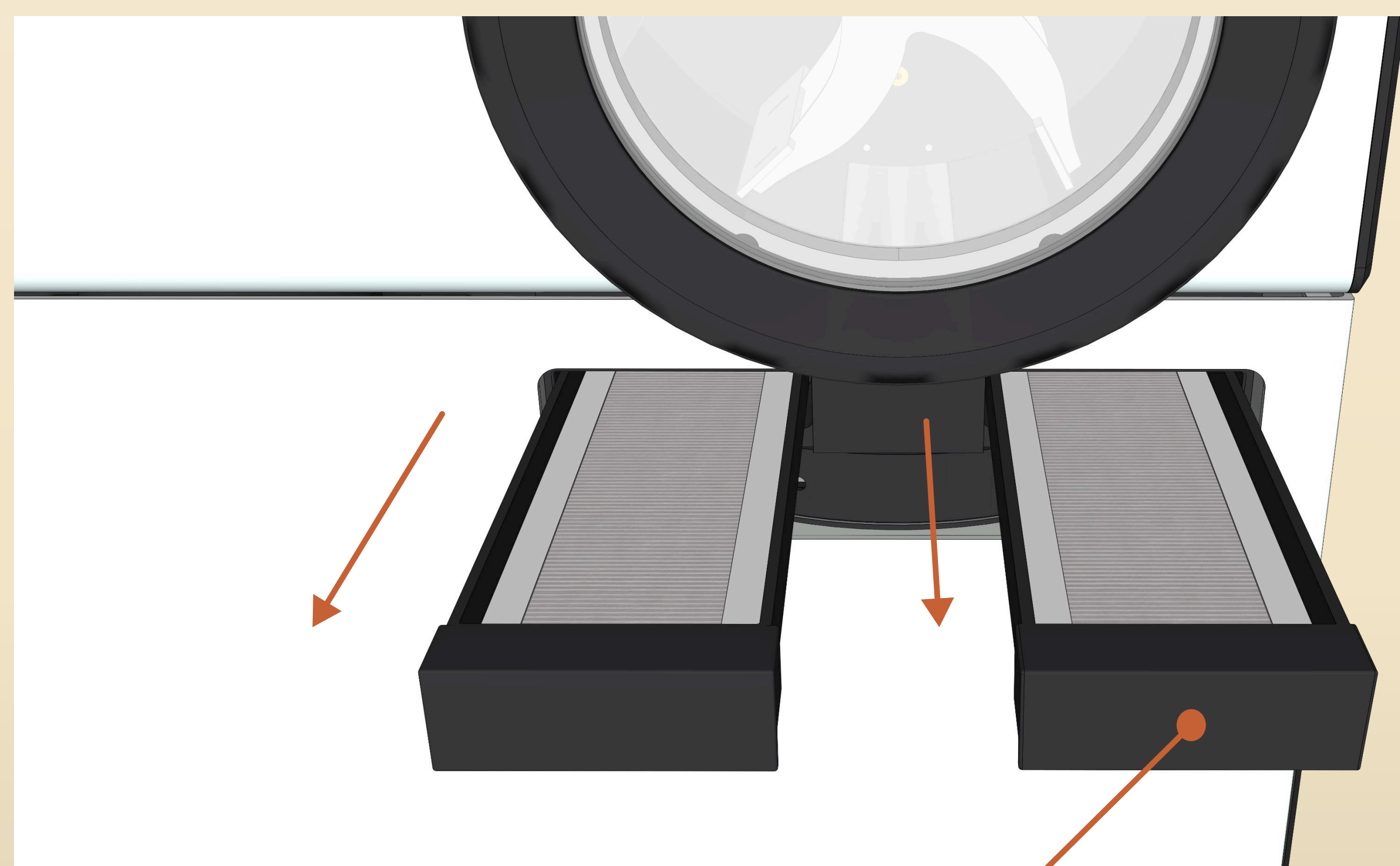
Your Shop Roaster with Continuous Roasting will prompt you onscreen to empty the chaff collector and water collector every 13 roasts.

### 1. Empty chaff collector and water collector

- Locate the chaff collector and water collector on the bottom left of your roaster
- Pull the latch straight out
- Pull the chaff collector and water collector out
- Pour water into sink
- Discard chaff collector into compost bin or trash
- Insert the chaff collector and water collector back into place
- Push the latch in to secure



Chaff collector and water collector



Pull the filters towards you

### 2. Clean pre-filters

At the end of each roasting session or at the end of every day, you will be required to clean both of your roaster's pre-filters to keep them performing optimally.

- Locate the pre-filters on the right side of the roaster, under the drum
- Remove both pre-filters
- Clean with a soft bristle brush or shop-vac
- Insert the pre-filters back into place

## Preventative maintenance

A technician visit is required for detailed preventative maintenance every 2500 lbs. To schedule, contact Bellwether Support for an available technician in your area.

Email: [support@bellwethercoffee.com](mailto:support@bellwethercoffee.com)

Call or Text: (510) 210-1536

Support Hours: **8am-4pm PST, Monday-Friday**